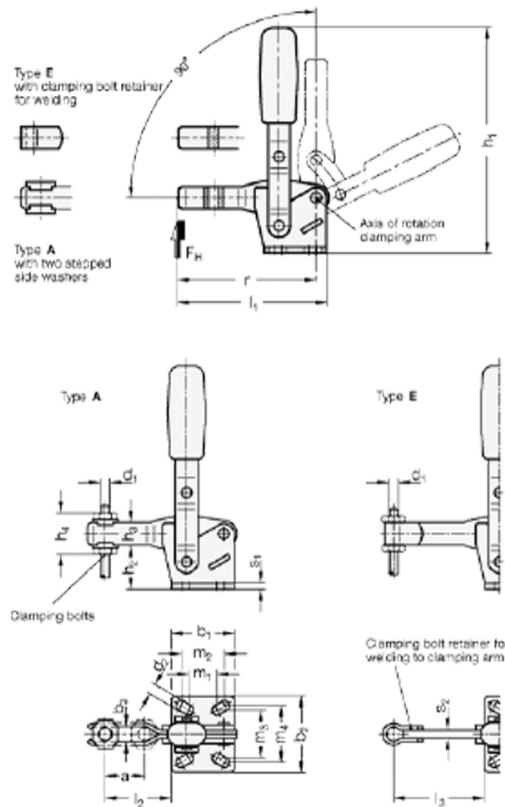


Article number: 20810230ANI

Description: E+G Klee vertical clamp, stainless steel
GN 810-230-A-NI

Measures



a = 40	h3 = 18	m4 = 32
b1 = 43	h4 = 31	r = 104
b2 = 45	Holding force N = 2200	s1 = 3
b3 = 8.5	l1 = 110.5	Size = 230
d1 = M8	l2 = 58	
d2 = 6.5	m1 = 19	
h1 = 168	m2 = 20	
h2 = 33.5	m3 = 32	